



CASHEL

CashelLLC.com

The Fitz Workstation

Fully-Loaded Sink Kit



PRODUCT DESCRIPTION

Only 20-1/2" wide, The Fitz fits in tight spaces! Tough polypropylene construction resists wear, rusts and stains in the laundry or utility room, garage, studio, basement or greenhouse – damp environments or dry. The chrome pull-out faucet cleans super efficiently; towel hooks and shelf keep supplies handy and organized. Features a removable drying rack, too. Enjoy right out of the box- installs with simple, everyday tools and comes complete with all you need.



PRODUCT SPECIFICATIONS

Model #: 1990-32-01

Material: High-Impact Polypropylene

Color: White

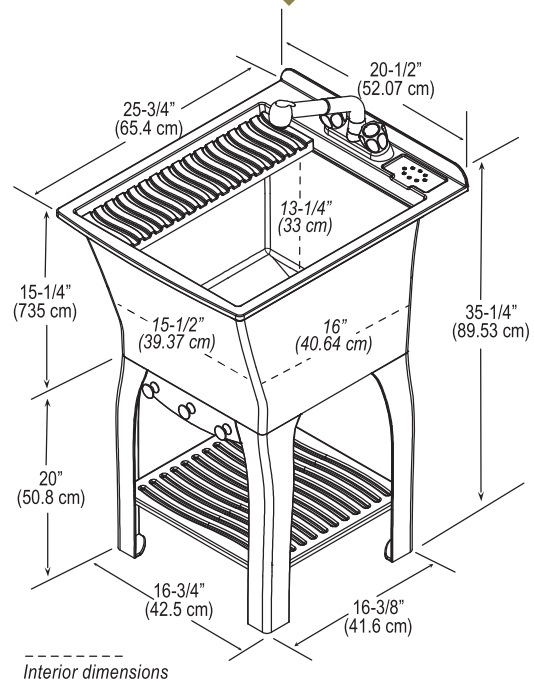
Size: 25 3/4"D x 20 1/2"W x 35 1/4"H

Weight: 19 Lbs.

Capacity: 15 Gallons

Overflow: 15 Gallons

Includes: Sink; leg kit (4 plastic legs, 4 leg levelers, bolts and nuts); slip joints/ nuts; washer; rubber drain stopper; drain strainer; shelf; removable drying rack; 4" chrome pull-out faucet; locknuts; plumbing connections (54" hose, slide zinc weight cover, zinc weight, check valve, wand assembly, large nuts, small compression nuts; plastic braided flexible supply line, wall tube; tail piece; P trap; T washer); plumber's tape; installation instructions



For customer service, call 610-853-8227 or email customerservice@cashellc.com.

CASHEL, LLC 850 West Chester Pike, Suite 200 | Havertown, PA 19083

