



PRODUCT DESCRIPTION

Only 20" wide, The Fitz fits in tight spaces! Tough polypropylene construction resists wear, rusts and stains in the laundry or utility room, garage, studio, basement or greenhouse – damp environments or dry. Towel hooks and shelf keep supplies handy and organized. Features a removable drying rack too. Compatible with any 4" mini-spread or center-set faucet; also can accommodate 8" wide-spread faucets.



PRODUCT SPECIFICATIONS

Model #: 1990-30-01

Material: High-Impact Polypropylene

Color: White

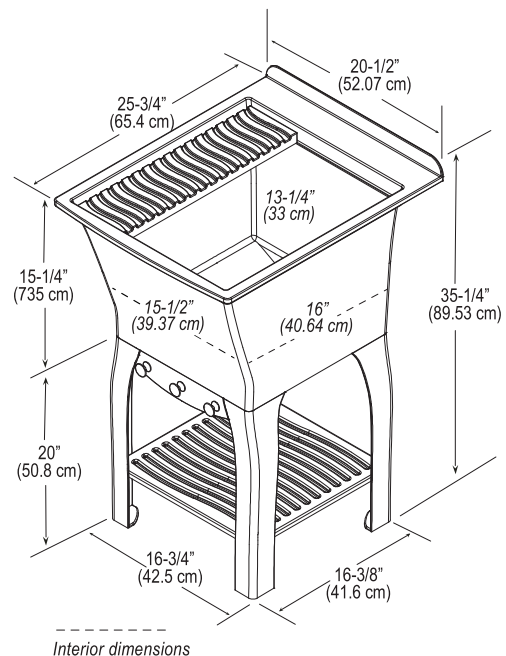
Size: 25 3/4"D x
20 1/2"W x
35 1/4"H

Weight: 17 Lbs.

Capacity: 15 Gallons

Overflow: 15 Gallons

Includes: Sink; leg kit (4 plastic legs, 4 leg levelers, bolts and nuts, slip joints/nuts); washer; rubber drain stopper; drain strainer; hooks, valance and screws; shelf; removable drying rack; plumber's tape; installation instructions



For customer service, call **610-853-8227** or email customerservice@cashellc.com.

CASHEL, LLC 850 West Chester Pike, Suite 200 | Havertown, PA 19083