



# CASHEL

CashelLLC.com

## The Maddox Workstation Fully-Loaded Sink Kit



### PRODUCT DESCRIPTION

The perfect upgrade for your home remodeling project, The Maddox is a stain- and rust-resistant workhorse for laundry or utility room, garage, studio, pantry or greenhouse - damp spaces or dry! Pull-out faucet cleans super efficiently; towel bar and shelf keep supplies handy and organized. Features a removable drying rack, too. Enjoy right out of the box- installs with simple everyday tools and comes complete with all you need.



### PRODUCT SPECIFICATIONS

**Model #:** 1980-32-01

**Material:** High-Impact Polypropylene

**Color:** White

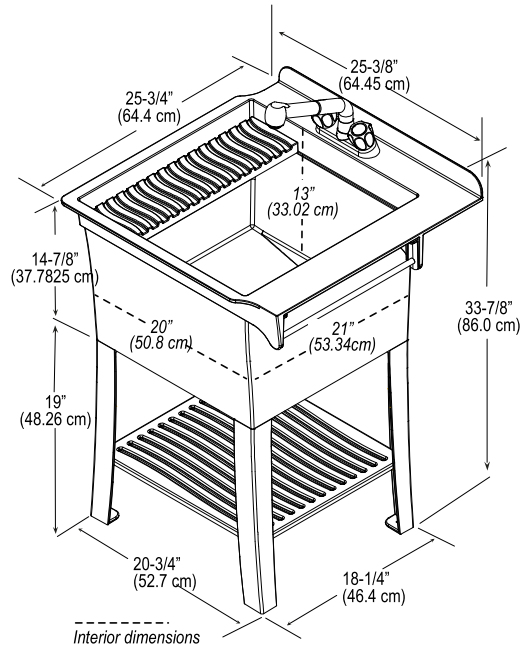
**Size:** 25 3/4"D x  
25 3/8"W x  
33 7/8"H

**Weight:** 22 Lbs.

**Capacity:** 20 Gallons

**Overflow:** 20 Gallons

**Includes:** Sink; leg kit (4 plastic legs, 4 leg levelers, bolts and nuts); slip joints/nuts; washer; rubber drain stopper; drain strainer; towel bar, brackets and screws; shelf; removable drying rack; 4" chrome pull-out faucet; locknuts; plumbing connections (54" hose, slide zinc weight cover, zinc weight, check valve, wand assembly, large nuts, small compression nuts; plastic braided flexible supply line, wall tube; tail piece; P trap; T washer); plumber's tape; installation instructions



For customer service, call **610-853-8227** or email [customerservice@cashellc.com](mailto:customerservice@cashellc.com).

CASHEL, LLC 850 West Chester Pike, Suite 200 | Havertown, PA 19083

