



PRODUCT DESCRIPTION

The workhorse of the Cashel laundry tub line, this extra-sturdy, freestanding utility sink is perfect for laundry or utility rooms, garages, pantries, greenhouses or studios. With a 20-gallon capacity, pull-out faucet and self-draining soap holders, this tough, stain- and rust-resistant polypropylene sink is a durable and versatile workspace. Installs with common tools and comes complete with everything you need. In your choice of White or Granite colors.



PRODUCT SPECIFICATIONS

Model #: 1960-32-01/2

Material: High-Impact Polypropylene

Color: White or Granite

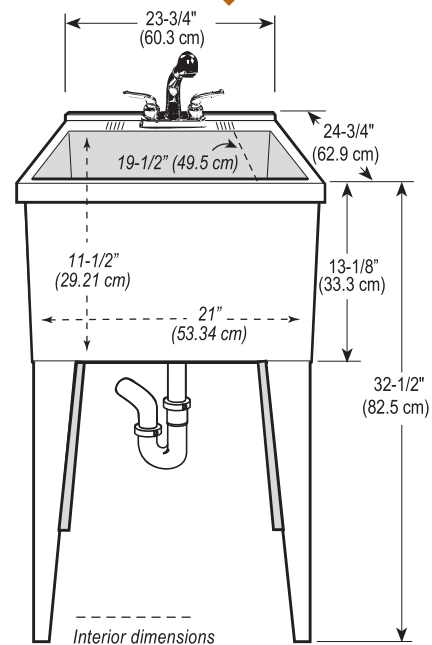
Size: 23 3/4" W x 24 3/4" D x 32 1/2" H

Weight: 16 Lbs.

Capacity: 20 Gallons

Overflow: 20 Gallons

Includes: Sink; leg kit (4 plastic legs, 4 leg levelers, bolts and nuts); slip joints/nuts; washer; rubber drain stopper; drain strainer; 4" chrome pull-out faucet; locknuts; plumbing connections (54" hose, slide zinc weight cover, zinc weight, check valve, wand assembly, large nuts, small compression nuts; plastic braided flexible supply line, wall tube; tail piece; P trap; T washer); plumber's tape; installation instructions



For customer service, call **610-853-8227** or email customerservice@cashelllc.com.

CASHEL, LLC 850 West Chester Pike, Suite 200 | Havertown, PA 19083