



CASHEL

CashelLLC.com

Heavy Duty Sink with Steel Legs

Essential Sink Kit

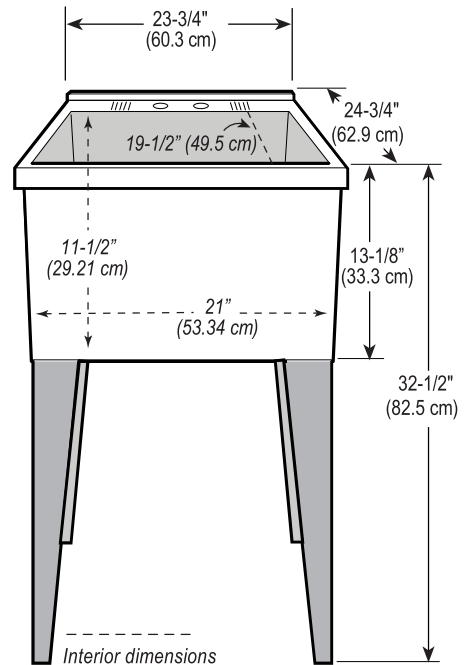


PRODUCT DESCRIPTION

Heavy-duty construction and high capacity, complete with heavy-gauge steel legs! The popular Cashel Heavy-Duty Essential utility sink is the upgraded workhorse of the Cashel laundry tub line, and perfect for laundry or utility room, garage, studio, pantry or greenhouse. A durable and versatile workspace with a 20-gallon capacity and self-draining soap holders, with a stain and rust resistant high-impact polypropylene sink in your choice of white or granite colors. Installs with everyday tools, and accepts any 4" mini-spread or center-set faucet. Also takes 8" wide-spread faucets.

PRODUCT SPECIFICATIONS

- Model #:** 1960-20-21/22 SL
- Material:** High-Impact Polypropylene; Heavy-Gauge Steel
- Colors:** White or (shown) Granite
- Size:** 23 3/4"W x 24 3/4"D x 32 1/2"H
- Weight:** 14 Lbs.
- Capacity:** 20 Gallons
- Overflow:** 20 Gallons
- Includes:** Sink; leg kit ((4 heavy-gauge steel legs, 4 adjustable levelers, bolts and nuts*); slip joint/ nut*; washer*; rubber drain stopper*, drain strainer*; installation instructions
*UHK



For customer service, call **610-853-8227** or email customerservice@cashellc.com.

CASHEL, LLC 850 West Chester Pike, Suite 200 | Havertown, PA 19083

