



# CASHEL

CashelLLC.com

## Heavy Duty Sink

Essential Sink Kit



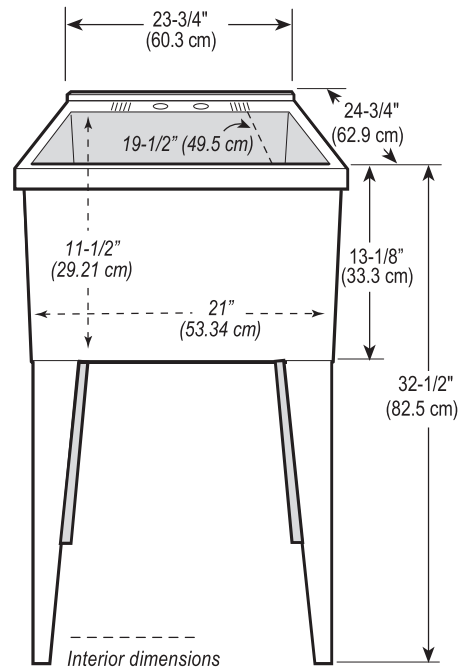
### PRODUCT DESCRIPTION

The popular Cashel Heavy-Duty Essential utility sink is the upgraded workhorse of the Cashel laundry tub line. This extra-strength, freestanding sink is perfect for laundry or utility room, garage, studio, pantry or greenhouse. A durable and versatile workspace with a 20-gallon capacity and self-draining soap holders, this stain and rust resistant high-impact polypropylene sink comes in your choice of white or granite colors. Installs with everyday tools, and accepts any 4" mini-spread or center-set faucet. Also takes 8" wide-spread faucets.

### PRODUCT SPECIFICATIONS

- Model #:** 1960-20-01/2
- Material:** High-Impact Polypropylene
- Colors:** White (shown) or Granite
- Size:** 23 3/4"W x 24 3/4"D x 32 1/2"H
- Weight:** 12 Lbs.
- Capacity:** 20 Gallons
- Overflow:** 20 Gallons
- Includes:** Sink; leg kit (4 plastic legs, 4 leg levelers, bolts and nuts\*); slip joint/nut\*; washer\*; rubber drain stopper\*, drain strainer\*; installation instructions

\*UHK



For customer service, call **610-853-8227** or email [customerservice@cashelllc.com](mailto:customerservice@cashelllc.com).

CASHEL, LLC 850 West Chester Pike, Suite 200 | Havertown, PA 19083

